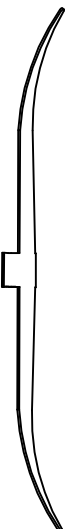


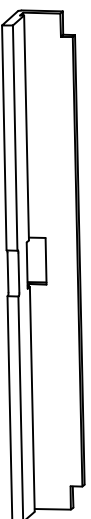
RETAINING BAND



T1 TOOTH
PART NO. T345405

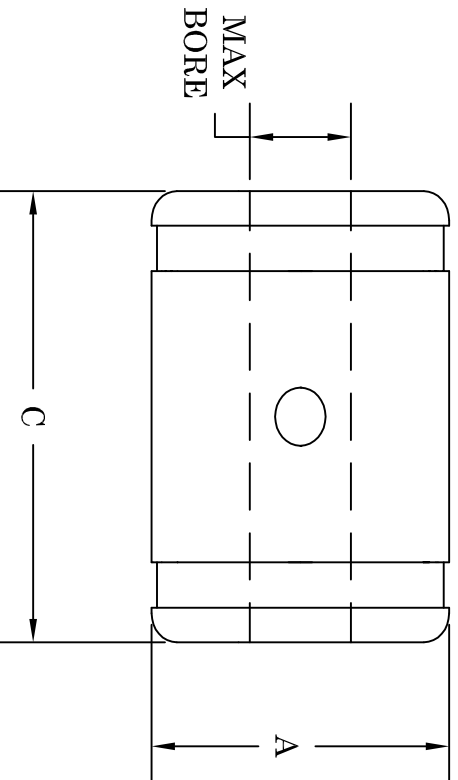


W2 CAVITY SPRING
PART NO. T325160



W1 CAVITY INSERT
PART NO. T190100

CORE SIZE AND TYPE: 1" through 4" core I.D. for most fiber, steel tipped, and plastic cores.
MOUNTING METHOD: Through shaft with set screw and/or keyway if required.
BORE TOLERANCE: +.010"



CHUCK NUMBER	A	MAX BORE SIZE	C	NUMBER OF TEETH	RETAIN. BANDS NUMBER
R3-1	0.95	0.50	2.25	3	B-1
R3-112	1.075	0.50	2.25	3	B-112
R3-125	1.20	0.63	2.25	3	B-125
R3-150	1.45	0.75	2.25	3	B-150
R3-2	1.95	1.00	3.88	3	B-2
R3-3	2.95	2.25	3.88	3	B-3
R3-312	3.075	2.25	3.88	3	B-312
R3-325	3.20	2.25	3.88	3	B-325
R3-350	3.45	2.50	3.88	3	B-350
R3-4	3.95	3.25	3.88	5	B-4

TITLOCK

THE ROLL HANDLING PEOPLE FOR OVER 30 YEARS.

12070 43rd St NE
St Michael, MN 55376
Phone: 763-497-7045
Fax: 763-497-7046
1-800-999-8458
<http://www.titlock.com>