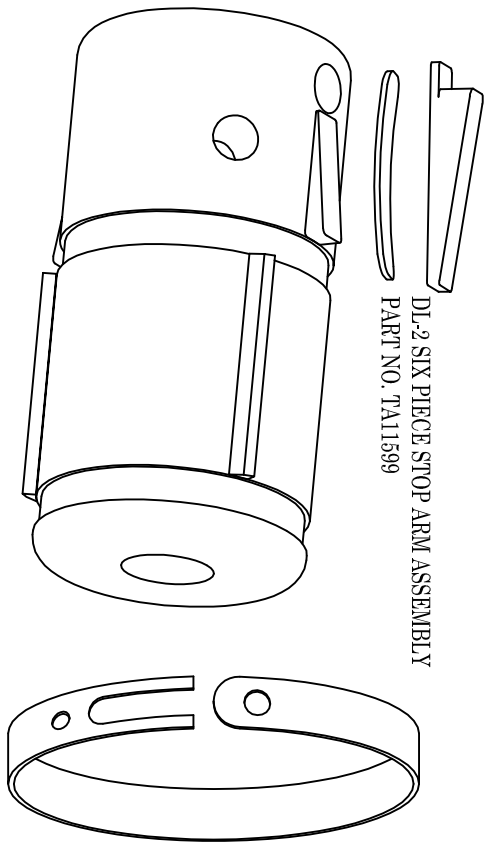
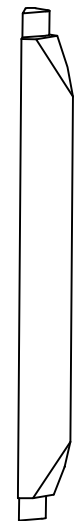


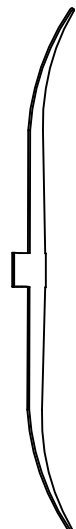
DL-2 SIX PIECE STOP ARM ASSEMBLY  
PART NO. T1A11599



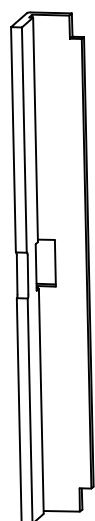
RETAINING BAND



T1 TOOTH  
PART NO. T345405

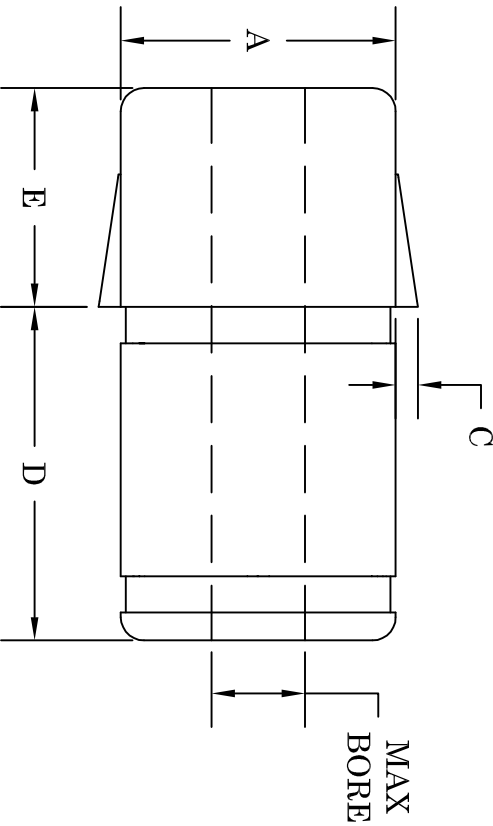


W2 CAVITY SPRING  
PART NO. T325160



W1 CAVITY INSERT  
PART NO. T190100

CORE SIZE AND TYPE: 2" through 6" core I.D. for most fiber, steel tipped, and plastic cores.  
MOUNTING METHOD: Through shaft with set screw and/or keyway if required.  
BORE TOLERANCE: +.010"



CHUCK NUMBER	A	MAX BORE SIZE	C	D	E	NUMBER OF TEETH	RETAIN. BANDS NUMBER
R5-2	1.95	1.00	0.25	3.59	2.34	3	B-2
R5-3	2.95	2.25	0.25	3.59	2.34	3	B-3
R5-312	3.075	2.25	0.25	3.59	2.34	3	B-312
R5-325	3.20	2.25	0.25	3.59	2.34	3	B-325
R5-350	3.45	2.50	0.25	3.59	2.34	3	B-350
R5-4	3.95	3.00	0.25	3.59	2.34	3	B-4
R5-5	4.95	3.00	0.25	4.00	2.34	5	B-5
R5-6	5.95	3.00	0.25	4.00	2.34	5	B-6

# TITLOCK

THE ROLL HANDLING PEOPLE FOR OVER 30 YEARS.

12070 43rd St NE  
St Michael, MN 55376  
Phone: 763-497-7045  
Fax: 763-497-7046  
1-800-999-8458  
<http://www.titlock.com>