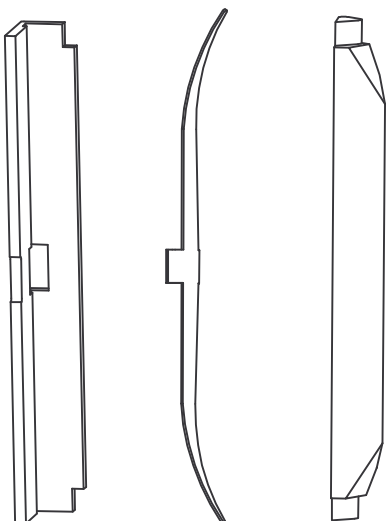


RETAINING BAND

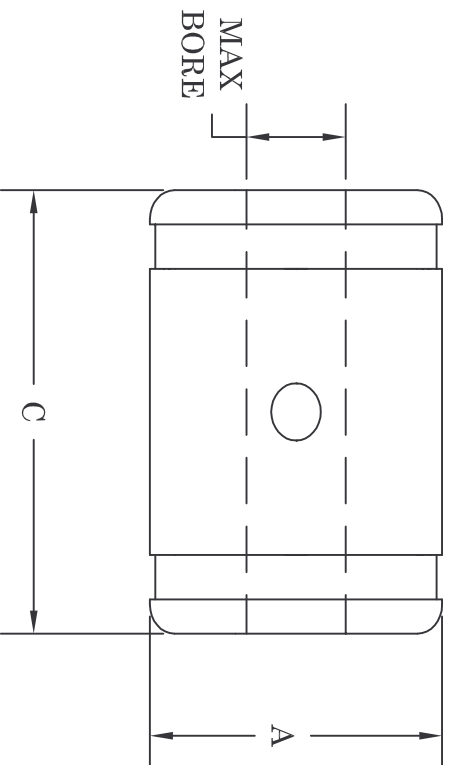


T1 TOOTH  
PART NO. T345405

W2 CAVITY SPRING  
PART NO. T325160

W1 CAVITY INSERT  
PART NO. T190100

CORE SIZE AND TYPE: 3" through 4" core I.D. for most fiber, steel tipped, and plastic cores.  
MOUNTING METHOD: Through shaft with set screw and/or keyway if required.  
BORE TOLERANCE: +.010"



CHUCK NUMBER	A	MAX BORE SIZE	C	NUMBER OF TEETH	RETAIN. BANDS NUMBER
X3-3	2.95	1.50	3.88	3	B-3
X3-312	3.075	1.50	3.88	3	B-312
X3-325	3.20	1.50	3.88	3	B-325
X3-350	3.45	1.50	3.88	3	B-350
X3-4	3.95	1.50	3.88	5	B-4

# TILT-LOCK

THE ROLL HANDLING PEOPLE FOR OVER 30 YEARS.

12070 43rd St NE  
St Michael, MN 55376  
Phone: 763-497-7045  
Fax: 763-497-7046  
1-800-999-8458  
<http://www.tiltlock.com>