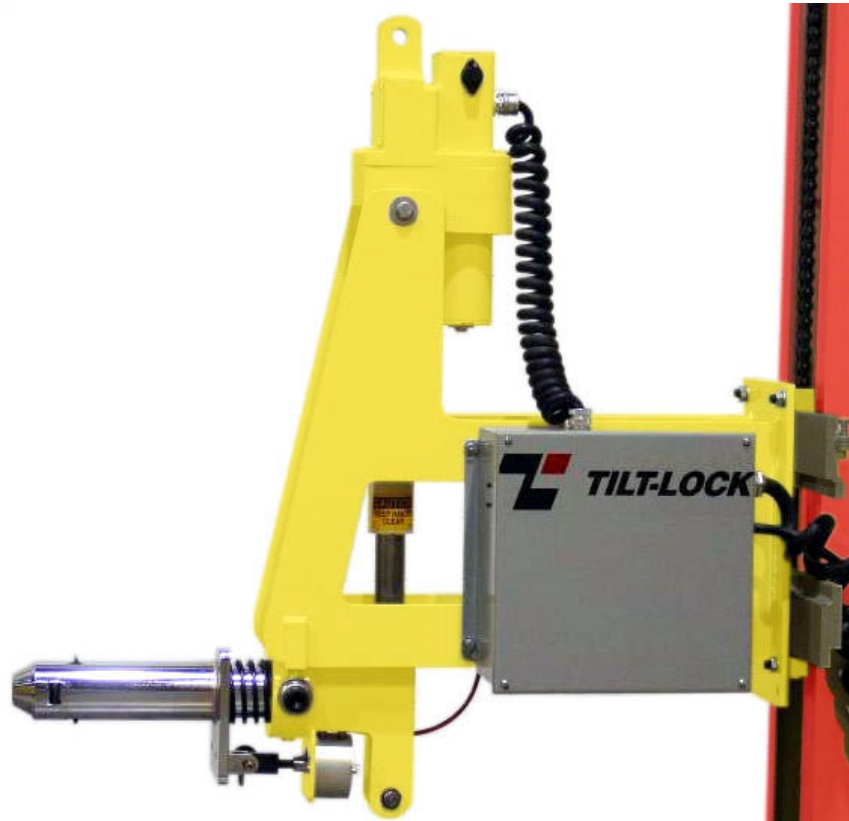




*THE ROLL HANDLING PEOPLE FOR OVER 30 YEARS.*

# Tip-Lift Attachment

## For Mobile Carts, Stackers and Fork Trucks



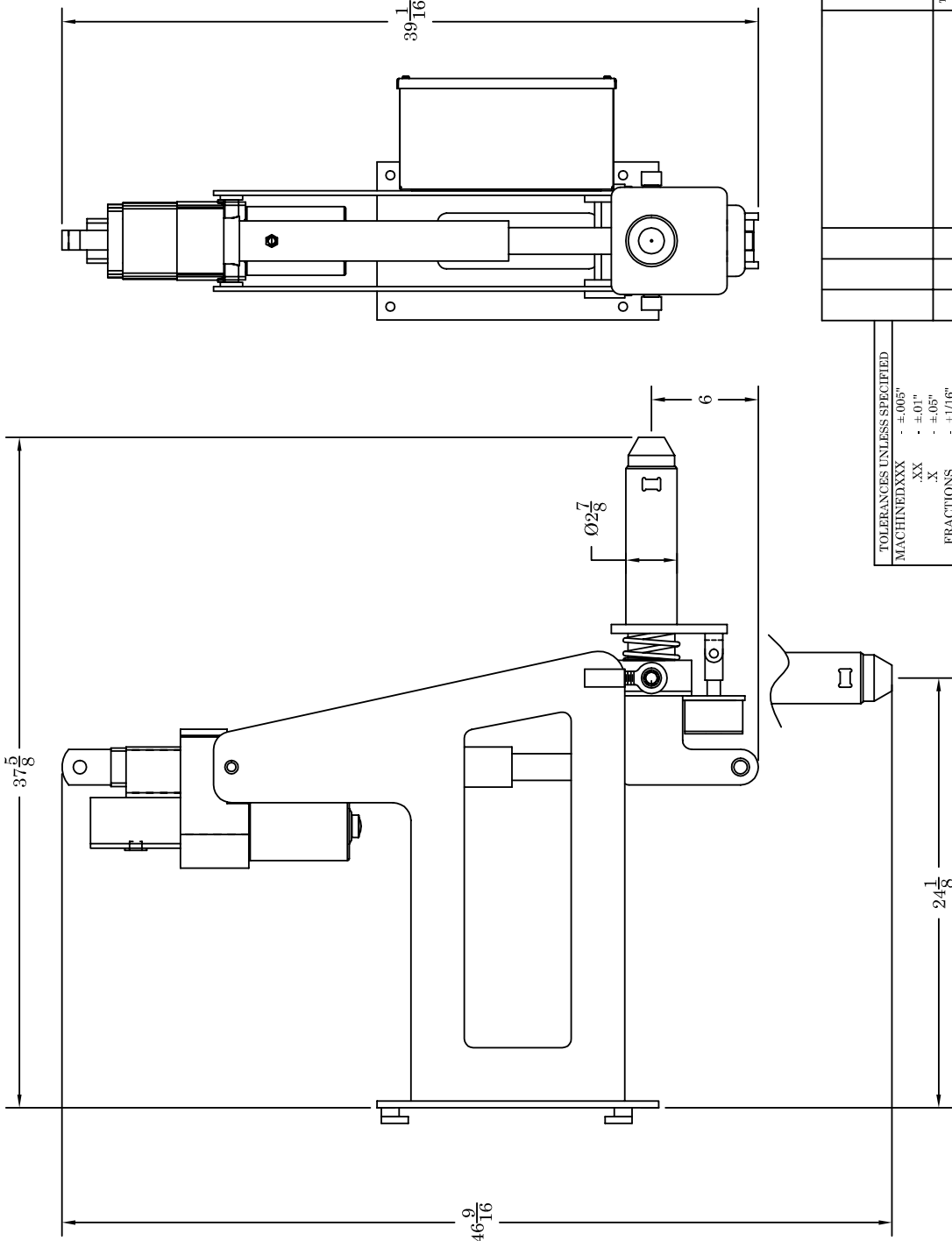
### Features

- Light weight of 100 pounds
- 12VDC self contained air compressor
- 12VDC power control supplied by stacker battery
- Control station easily mounted adjacent to mobile cart controls
- Pneumatic tooth release
- Accommodates all Tilt-Lock probe diameters
- Vertical probe reaches the center of a 48" pallet
- Great option where overhead crane system cannot be used
- Allows the mobility to cover a larger space

Call us at 1-800-999-8458  
Or visit us at [www.tiltlock.com](http://www.tiltlock.com)  
12070 43rd St NE, St. Michael, Minnesota 55376  
Phone: 763-497-7045 Fax: 763-497-7046

STACKER ATTACHMENT SPECS.	
1.) POWER REQ: 12VDC-22 AMPS	
2.) ROTATION: 90 DEGREES	
3.) PNEUMATIC TOOTH RELEASE	
4.) CAPACITY CHART BELOW	
ROLL WIDTH	ATTACH. CAP. (LBS.)
10"	930
20"	570
30"	410
40"	320
50"	260
60"	220


NOTE: CONTACT FACTORY FOR SPECIFIC STACKER CAPACITIES, FOR VARIOUS STACKER/FORK TRUCK MODELS



TOLERANCES UNLESS SPECIFIED	
MACHINED XXX	±.005"
XX	±.01"
.X	±.05"
FRACTIONS	±.1/16"
ANGULAR	±.3°

NOTICE TO PERSONS RECEIVING THIS DRAWING AND/OR TECHNICAL INFORMATION: TILT-LOCK CLAIMS PROPRIETARY RIGHTS TO THE MATERIAL DISCLOSED THEREON. THIS DRAWING AND/OR TECHNICAL INFORMATION IS ISSUED IN CONFIDENCE AND IS NOT TO BE REPRODUCED, COPIED, OR TRANSMITTED IN ANY MANNER WITHOUT THE WRITTEN PERMISSION OF TILT-LOCK. ANYTHING SHOWN OR REFERRED TO HEREON WITHOUT DIRECT WRITTEN PERMISSION FROM TILT-LOCK TO THE USER.

TILT-LOCK IS NOT RESPONSIBLE FOR THE STRENGTH OF BUILDING MEMBERS FURNISHED BY OTHERS.

 <b>TILT-LOCK</b> 12070 43RD STREET NE ST. MICHAEL, MN 55376 PH: 763-497-7045 FAX: 763-497-7046		TITLE: STACKER ATTACHMENT	
		DATE: 3/29/04	SCALE: NONE
REV. BY: TCK	DATE: 3/29/04	DWG. TA68001C	REV. B

12070 43rd St NE, St. Michael, Minnesota 55376  
 Phone: 763-497-7045 Fax: 763-497-7046  
 1-800-999-8458  
 www.tiltlock.com